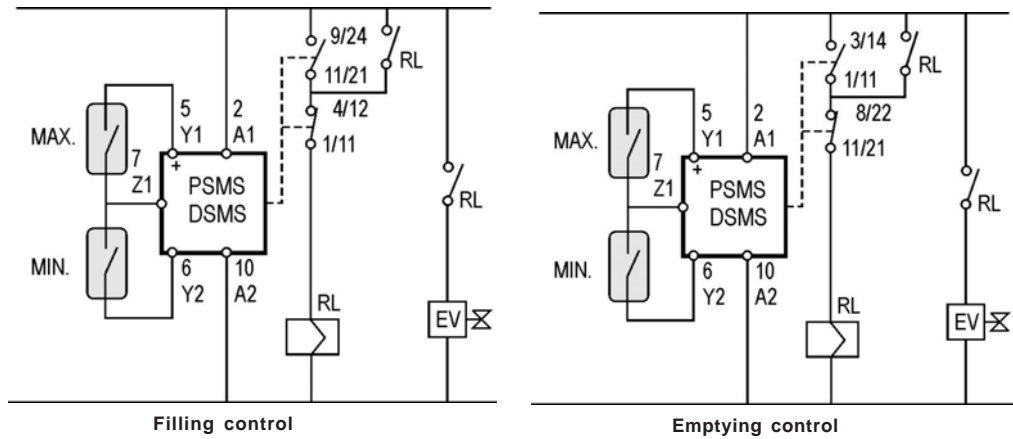


# PSMS DSMS



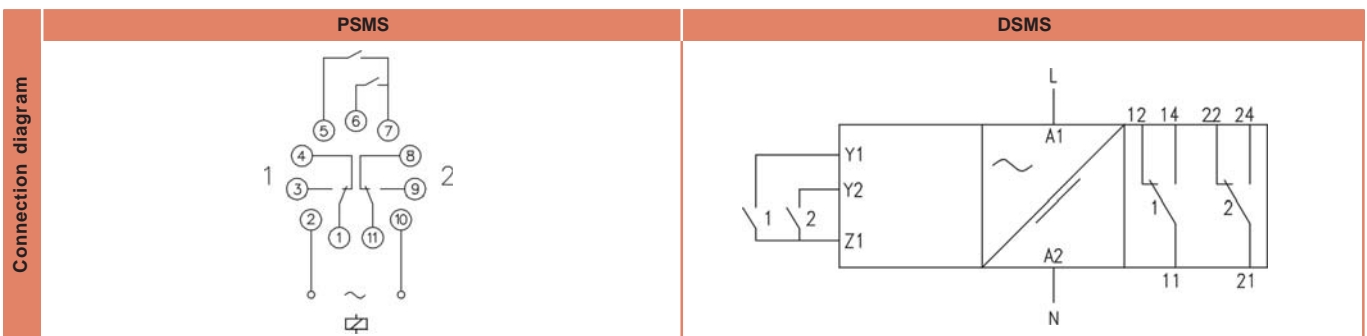
Function	Contact amplifier with two independent inputs.
Operating principle	Relay 1 operates when the contacts 5-7 (PSMS) or Y1-Z1 (DSMS) close and releases in the opposite case. Relay 2 operates when the contacts 6-7 (DSMS) or Y2-Z1 (PSMS) close and releases in the opposite case. Both contacts can be activated simultaneously without interference between them.
Leds indication	Power on: Green Relays on: Red
Relays	It is provided with two relays, each one related two each set point.
Type of contact	Potential free
Voltage control	24 VAC 4 mA

## Installation examples



	HOUSING	FUNCTION	OUTPUT	VOLTAGE
Reference	<b>P</b> Plug inn	<b>S M</b> Current relay with two independent set points	<b>S</b> 1+1 NANC	<b>U24</b> 24 VAC/DC
	<b>D</b> DIN rail			<b>724</b> 24 VDC
				<b>024</b> 24 VAC
				<b>110</b> 110..125 VAC
				<b>230</b> 220..240 VAC
				<b>400</b> 380..415 VAC

To compose the reference, select one option of each column. Example: **PSMS 024**



		PSMS	DSMS	
Output relays				
	Resistive load	AC	8 A / 250 V	8 A / 250 V
		DC	0,25 A / 200 V	0,25 A / 200 V
	Inductive load	AC	8 A / 24 V	8 A / 24 V
		DC	2 A / 250 V	2 A / 250 V
			2 A / 24 V	2 A / 24 V
		Mechanical life	> 30 x 10 <sup>6</sup> operations	> 30 x 10 <sup>6</sup> operations
		Max. switching rate, mech.	72.000 operations / hour	72.000 operations / hour
		Electrical life at full load	360 operations / hour	360 operations / hour
		Contact material	AgNi 90/10	AgNi 90/10
		Maximum voltage	440 VAC	440 VAC
		Operating voltage	250 VAC	250 VAC
		Volt. between changeovers	2500 VAC	2500 VAC
	Voltage between contacts	1000 VAC	1000 VAC	
	Voltage coil/contact	5000 VAC	5000 VAC	
	Distance coil/contact	10 mm	10 mm	
	Isolation resistance	> 10 <sup>4</sup> MΩ	> 10 <sup>4</sup> MΩ	

Supply	AC		DC		ACDC	
	PSMS	DSMS	PSMS	DSMS	PSMS	DSMS
	Galvanic isolation		Yes		No	
	Frequency		50 / 60 Hz		-	
	Operating margins		±10% -15%		±10%	
	Positive		-		Terminal 2	
	Protected polarity		-		Yes	

Constructive and environmental data	PSMS	DSMS	
	Voltage phase-neutral	300 V	300 V
	Overvoltage category	III	III
	Rated impulse voltage	4 kV	4 kV
	Pollution degree	2	3
	Protection	IP 20 B	IP 20
	Approximate weight	250 g	280 g
	Storage temperature	-50..+85°C	-50..+85°C
	Operating temperature	-20..+50°C	-20..+50°C
	Humidity	30..85% HR	30..85% HR
	Housing	Cyclopol - Light grey	Cyclopol - Light grey
	Socket	Lexan - Light grey	-
	Leds cover	Lexan - Transparent	Lexan - Transparent
Button, terminal block, clip	Technyl - Dark blue	Technyl - Dark blue	
Pins of the socket	Nickel-plated brass	-	
Pins of the terminal block	-	Brass	
Approvals	Designed and manufactured under EEC standards. Electromagnetic compatibility, directives 89/366/EEC and 92/31/EEC. Electric safety, directive 73/23/EEC. Plastics: UL 91 V0		

Dimensions	PSMS	DSMS

Rev. 02 - 06/06/08 - DISIBEINT reserves the right to modify the specifications stated in this document without previous notice