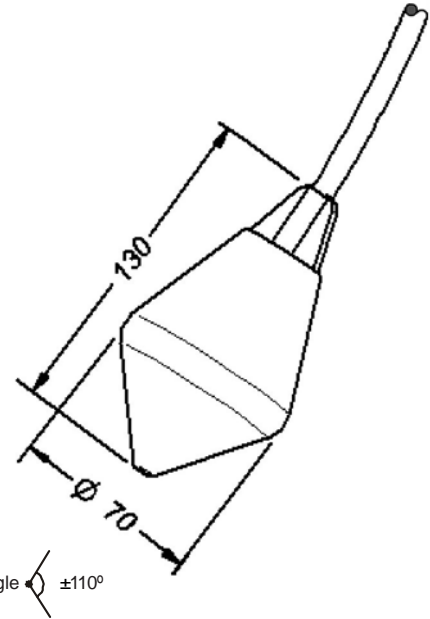


INMF

FLOAT LEVEL SWITCH

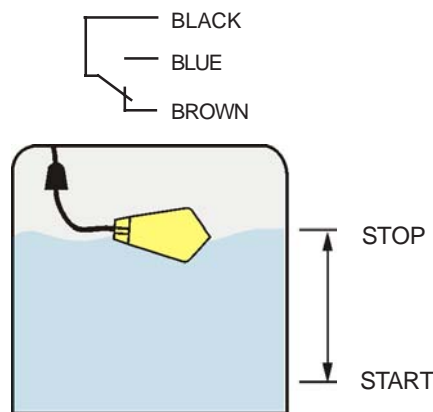


Funtion	Switch to control a maximum or minimum level in the process of filling or emptying of liquids. Omnidirectional.
Application	Economic, low cost. For clean water and liquids bit agitated.
Process connection	By cable
Differential angle	±110°. Maximum 1m.
Adjustment	By counterweight placed along the cable. The counterweight is optional and must be requested specifically.
Body material	Polipropilene (PP), yellow.
Cable	Neoprene, 3 x 1 mm ² (high flexibility).
Cable lenght	3 m (Optional 5-10 m).
Contact type	SPDT micro-switch.
Maximum voltage	250 VAC
Maximum current	20A / 250 VAC (resistive load) - 8A / 250 VAC (inductive load)
Pressure	3,5 kg/cm ²
Operating temperature	+85 °C
Density	0,7..1,15 kg/dm ³
Dimensions	Ø70 x 130 mm
Weight without cable	105 gr. Counterweight (optional): 175 gr
Protection	IP68

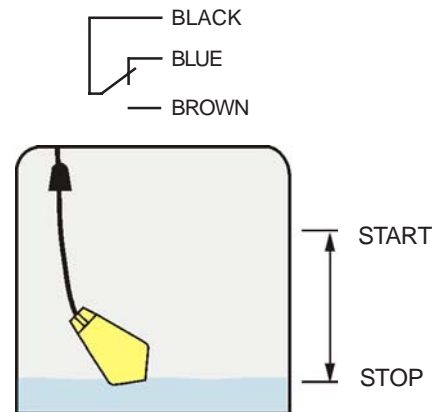
Accessories

PAR

Installation examples



FILLING
Stop in filling, start in emptying



EMPTYING
Start in filling, stop in emptying