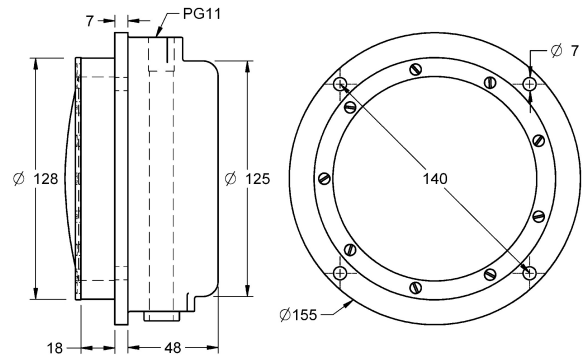
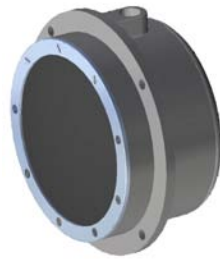


## Ex CNM 30 / CNM 30 Ex

### LEVEL CONTROL FOR SOLIDS



Application field	Controller by membrane for the level control of materials in bulk of easy flow, at atmospheric pressure.
Operating principle	The membrane must be in touch with the material to be controlled. As the material that enters the silo accumulates and covers the membrane, the pressure that exerts the material pushes back the membrane pressing the mechanism that drives a switch. This switch is used to operate visual or acoustic signals, or to start the loading and unloading mechanisms in silos and containers.
Body material	Reinforced plastic. Aluminium on request.
Membrane	Standard nitrile. Neoprene, viton, stainless steel, etc., on request.
Operating temperature	-20..+80°C
Protection	IP50. With joint in the cover, IP53. Optional ATEX.
Pressure	Standard 60g. On request 10 g. 25 g. adjustable sensibility to 60..200 g. With stainless steel membrane, adjustable sensibility from 150..500g.
Output contact	SPDT Micro-switch 10 A 250 VCA
Cables input	Threaded hole for PG11 in the top side.
Sensibility	Moving the holding support to the central part, the material must push strongly for acting the switch. <b>Models with adjustable sensibility:</b> By adjusting the nut of the regulation mechanism, the material must push strongly or weakly for acting the switch. <b>Models with pressure to 10 g.:</b> It is not recommended to adjust the sensibility. They are pre-adjusted to the maximum sensibility.
Installation	These equipments must be installed with the membrane in vertical position to assure the release of the switch when the tank become empty.

