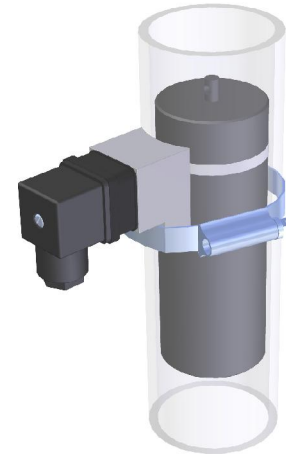
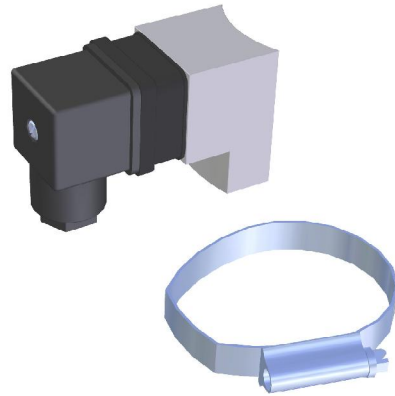


BPCB

LEVEL SWITCH BY FLOAT




The float is supplied separately

Application	Detection of the level in pipelines or by-pass sensors. The activation of the contact is made by a float located inside the tube.
Function	When the float, driven by the action of the liquid reaches the height of the contact, it switches its state and stays there until the float drops.
Output	Bistable reed contact 40W/VA - 2A/230 VAC
Type of contact	NO or NC according to the position of the set (see section "Installation")
Electrical connection	By DIN 43650 connector
Material	PVC. Grey
Operating temperature	60 °C
Protection	IP65

Tube Ø63 mm			
Sensor	Reference	BPCB-63	<p>The float is optional and must be orderer independently.</p>
	L1	22 mm	
	L2	9 mm	
Float	Reference	CBBP-63	
	Dimensions (DxL)	Ø49x130 mm	
	Material	PP	
Clamp	Ø Application (D)	60.80 mm	<p>The clamp is supplied with the sensor.</p>
	Material	SS AISI304	
	Screw	SS AISI304 Cu	
	Tighten Par Pressure	7,0 Nm 20 Bar	

Clamp	Float	Sensor

Installation

The BPCB sensor is installed in appropriate diameter tubes, placed at the level where you want to detect the level. The detection point approximately indicated by the symbol .

Depending on the move you want to make the body of the sensor must be accordingly:

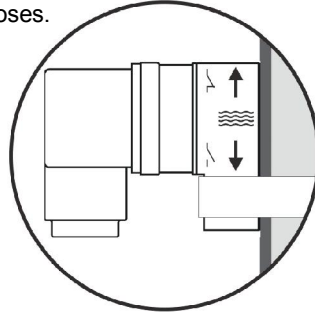
- With the clamp on the bottom: By raising the level, the contact closes. By lowering the level, the contact opens.
- With the clamp at the top: By raising the level, the contact opens. By lowering the level, the contact closes.

The float should always be mounted with the pivot upward.

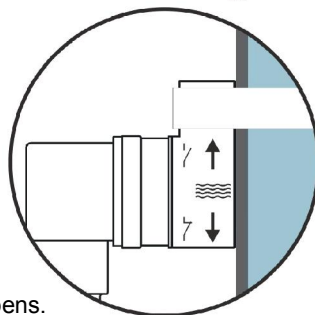
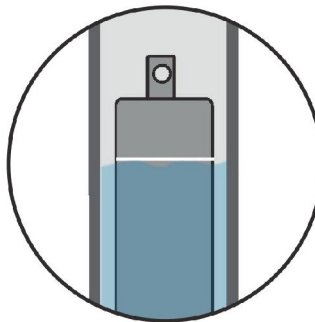
Clamp on the down:

By raising the level, the contact closes.

By lowering the level, the contact opens.



Float Position:
pivot upward.



Clamp on the top:

By raising the level, the contact opens.

By lowering the level, the contact closes.

It is recommended that the output connector cable be down to protect it from an eventual entry of liquids.

