

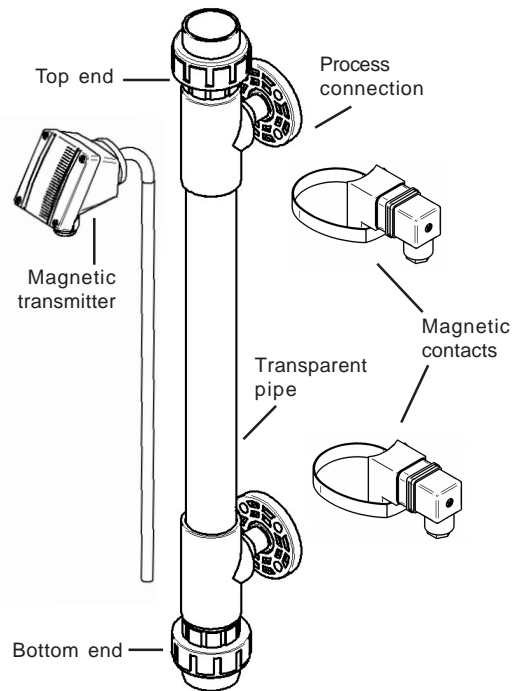
BP 300

BY-PASS LEVEL INDICATOR with DOUBLE process connection

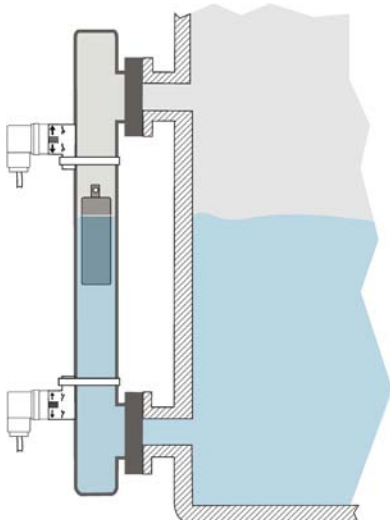


The float is provided separate

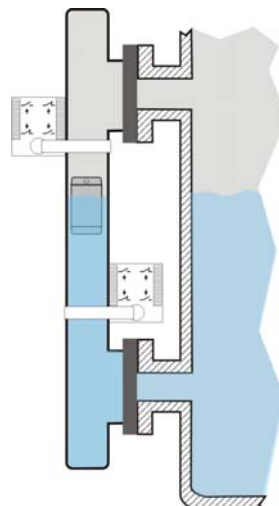
Description	<p>By-pass level indicators are installed outside the tank containing the liquid to be controlled. The float is housed inside the transparent pipe in such a way that it can be easily seen the height of liquid level.</p> <p>May optionally be added contacts or magnetic transducers to obtain an electric signal depending on the level of the liquid.</p>										
Technical advantages	<ul style="list-style-type: none"> · Simple and robust design. · Measure and liquid level indication in aggressive, combustible, toxic, agitated, contaminated liquids, etc. · Applicable in all areas of industry through the use of materials highly resistant to corrosion. 										
General operating conditions	<table border="1"> <tr> <td>Pipe material</td> <td>PVC Glass, transparent.</td> </tr> <tr> <td>Fitting material</td> <td>PVC grey</td> </tr> <tr> <td>Temperature</td> <td>-10..60 °C</td> </tr> <tr> <td>Pressure</td> <td>Atmospherical</td> </tr> <tr> <td>Protection</td> <td>IP65</td> </tr> </table>	Pipe material	PVC Glass, transparent.	Fitting material	PVC grey	Temperature	-10..60 °C	Pressure	Atmospherical	Protection	IP65
Pipe material	PVC Glass, transparent.										
Fitting material	PVC grey										
Temperature	-10..60 °C										
Pressure	Atmospherical										
Protection	IP65										
Options	<ul style="list-style-type: none"> · External magnetic contacts (BPCB, BPCBA) · External magnetic transmitter (TMN 300 TB, TMR TB) · Internal magnetic switch (families IMN TB, IMN TC, IMN TP) · Draining valve 										



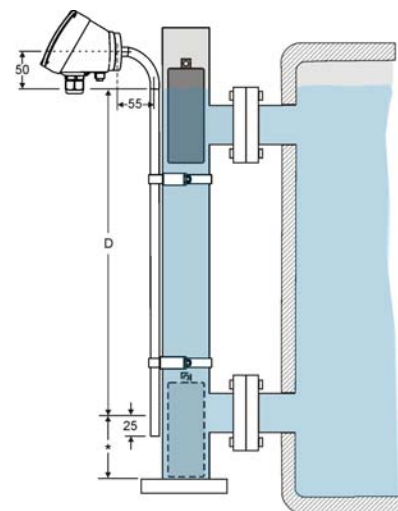
Examples of installation



Contacts BPCB-40, BPCB-60



Contacts BPCBA

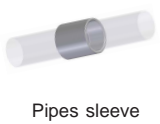
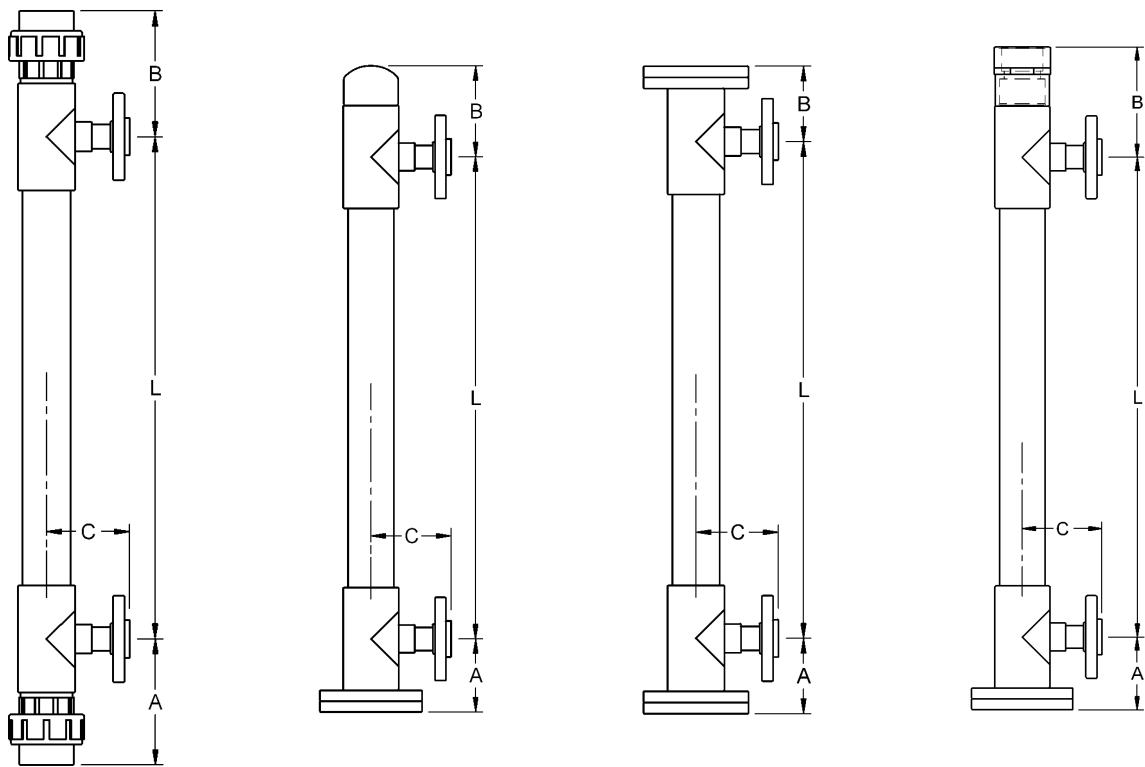


Transmitter TMN 300 TB, TMR TB

Manufacturing possibilities

Manufacturing possibilities	Top end	Top screw	DN 32 flange	Female thread	Closed
	Process connection	DN 25 flange	3 pieces link	Welding pipe	Male thread 1"G
	Bottom end	Top screw		DN 32 flange	

Dimensions


















Pipes sleeve

The pipe is supplied in sections of 1 and 2 meters. For distances larger than 2 meters must be used the sleeve for pipe PVC Glass. It is required as many pieces as unions between pipes exist. Each link increases the total length in 3 mm.

Top/bottom end	A	B	C
Top screw	167	167	110
DN 32 flange	101	101	110
Female screw	-	153	-
Top closed	-	126	-

Sizes are shown in mm.
Dimension "C" refers to Ø63 mm pipe.

Pipe					
	Type	Glass pipe, PVC transparent			
	External diameter (mm)	40	50	63	
Float	Model	Magnetic	FCPP05M14	FCPP06M18	CBBP-63
		NO Magnetic	-	-	CBBP-63S
	Material	PP	PP	PP	
	Dimensions (ØDxL) (mm)	29x50	38x60	49x130	
	Pressure (kg/cm ²)	3	3	5	
	Density (g/cm ³)	e > 0,78	e > 0,72	e > 0,7	
	FS / FH (mm)	11 / 39	16,8 / 43,2	39 / 91	
					
Contact					
	Model	BPCBA	BPCB-63		
	Dimensions (mm)	45x32x53	45x31x71		
	Output	Bistable contact reed, 40 W/VA - 2A/230 VAC			
	Type of contact	NO or NC, according to the set position			
	Electrical connection	By connector DIN 43650			
	Operating temperature	+60 °C			
Protection	IP65				
Clamp					
	Ø Application (D)	32..50 mm	40..60 mm	60..80 mm	
	Material	SS AISI304 (1.4301)			
	Screw	SS AISI304 Cu			
	Tightening torque	6,0 Nm		7,0 Nm	
Pressure	35 Bar		20 Bar		
Magnetic transmitter	Model	TMN 300 TB INOX	TMR TB INOX		
	Application	Provides a 4-20 mA analog output proportional to the height of the level being controlled.	Provides a resistive output proportional to the height of the level being controlled.		
	Output	4..20 mA, 10..35 VDC	100 ohms / reads		
	Reading step	10 mm. Optional, 5 mm.			
	Electrical connection	Connection housing on PBT. Allow the connection in systems of 2, 3 or 4 wires.	Connection housing on PBT.		
	Protection	IP67			
Floats	CBBP-40 and CBBP-63				
Magnetic switch	Model	IMN TB	IMN TC	IMN TP	
					
	Consult the detailed information of each model in our website or in their own data sheets.				

DIMENSIONS

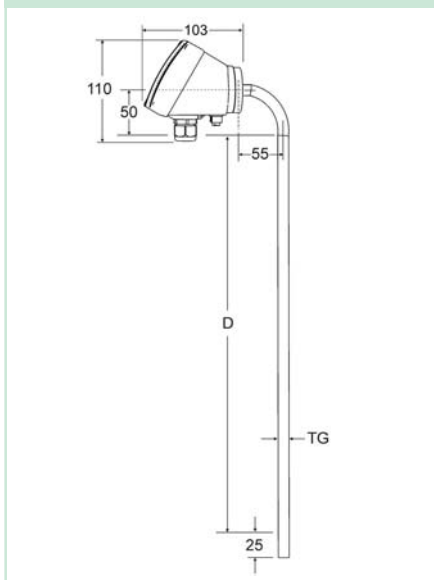
Floats

CBBP-40 / CBBP-40S	FCPP05M14	FCPP06M18	CBBP-63 / CBBP-63S

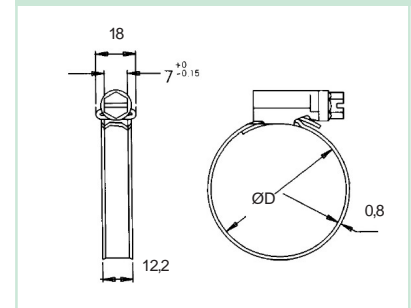
Contacts

BPCB-40	BPCBA	BPCB-63

TMN 300 BP / TMR BP



Clamp



Composition of the reference

	Process connection	Accessories	Material	Ø Tubo	Float	End		L	A		
						Top	Bottom				
BP3	0	DN 25 flange	PVC	40	1 FCPP05M14S 3 CBBP-40S	T	Top screw	Distance between centers (**)	Lower distance (**)		
	1	3 pieces link (Ø32 / 1"G)		50	2 FCPP06M18S						
	2	Welding pipe 1"G		63	5 CBBP-63S	B	Flange			T	Top scerw
	3	Female thread		40	1 FCPP05M14 4 CBBP-40	C	Closed			B	Flange
				2	FCPP06M18	R	Female thread				
				3	Contacts + transmitter	63	6 CBBP-63				

(*) Refer to the section "Dimensions" on page 2. Express the distance in millimeters.

(**) If you do not specify any data, it will be taken the default one in each case.

To compose a reference, select an option from each of the columns.

Example: **BP300 PVC 635BB 2000 350**

Rev. 00/00 - 06/07/12 - DISIBEINT reserves the right to modify the specifications stated in this document without previous notice