



Application

Function They are used to control the maximum or minimum level in installations for water regulation, septic tanks, pumping stations, treatment tanks or lifting stations. Suitable for clean, dirty, residual or calcareous waters.

Technical data

Process connection	Through the cable itself. See the accessories that facilitate this task.
Electrical connection	PVC cable, 3x1 mm ²
Cable length	6 m, 10m, 15 m, 20 m.
Differential angle	± 10°
Operating temperature	+ 85°C
Operating pressure	2 bar
Product density	0,95 .. 1,05 kg/cm ³

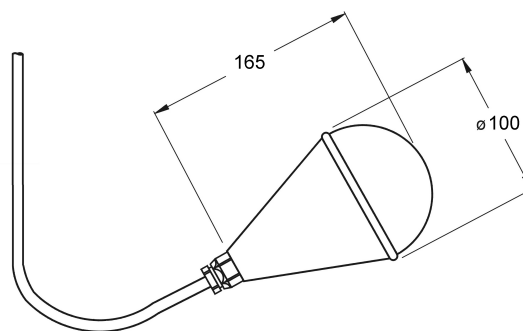
Electrical data

Contact type	Single-pole inverter microswitch
Maximum voltage	250 VAC /VDC 50/60 Hz
Maximum current	12A (resistive load), 6A (inductive load)

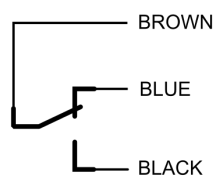
Construction data

Body material	PP, grey
Weight	775 g, without cable
Protection	IP68 (IEC60529)

Dimensions



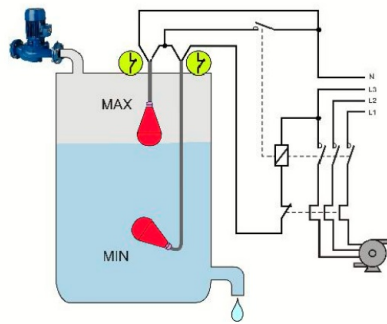
Electrical wiring



State of contact with the float at rest, in an empty tank.

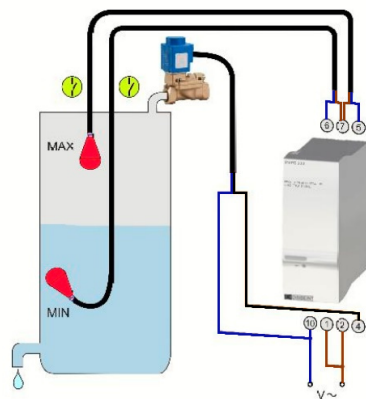
EXAMPLES OF INSTALLATION

Fill control (1)



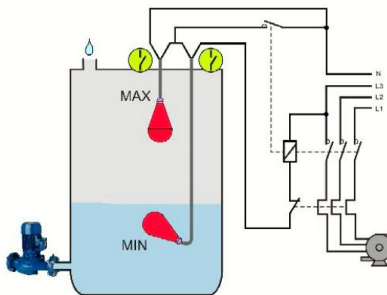
Via the auxiliary contacts of the pump contactor.
Normally closed contacts at rest are used.

Fill control (2)



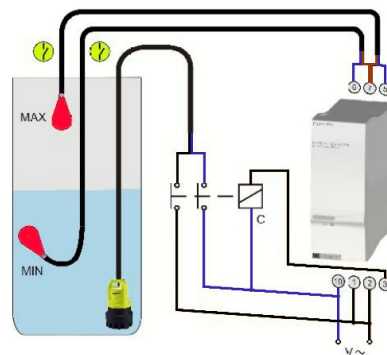
Through the PPS relay that provides a simple way to perform the start-stop maneuver in a fill control application.
Normally open contacts at rest are used.

Emptying control (1)



Via the auxiliary contacts of the pump contactor.
Normally open contacts at rest are used.

Emptying control (2)



The joint use of the PPS relay with an auxiliary relay allows the start-stop maneuver to be performed in an emptying control application.
Normally open contacts at rest are used.

Accessories

PAR

