



Application

Operating principle	IMN level switches are used for the detection and control of one or more level points in liquids, whether conductive or not. They can be used in many types of tanks, cisterns, tanks.
Application	<ul style="list-style-type: none"> - For the detection of a single level point in liquids. - Used in filling, emptying, overflow alarm, etc.

Constructive features

Process connection	1/8"G thread. Includes locknut and silicone gasket.
Body material	Satinless steel AISI304L (1.4301)
Operating temperature	-30 .. +125 °C
Protection	<ul style="list-style-type: none"> - IP68 in the submerged part - IP67 on the outside

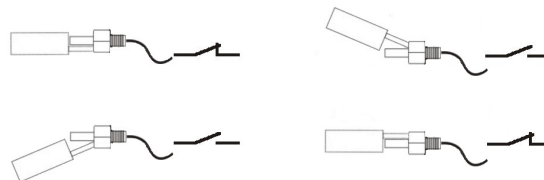
Float

Material	Satinless steel AISI304L (1.4301)
Operating pressure	5 kg/cm ²
Density	0,7 g/cm ³
Dimensions	Ø17 x 56 mm

Electrical data

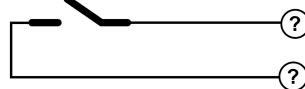
Contact type	Reed switch, normally opened. By reversing the float position, the contact can be NO or NC.
Class	50 WVA / 220VAC/DC - 2A
Internal resistance	<= 100 ohms

Situation

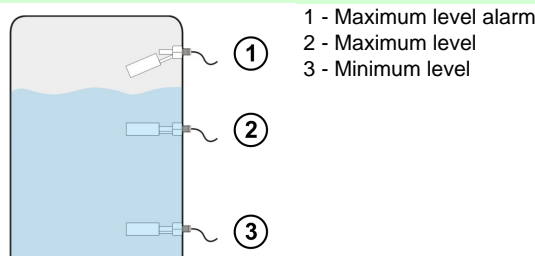


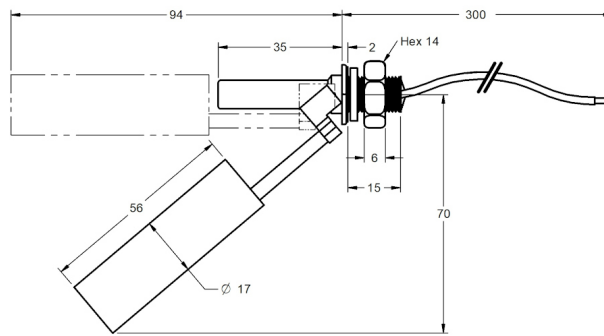
Electrical wiring

Type	By two cables (UL1007 / 22AWG)
Cable length	300 mm
Connection	



Example of installation



Dimensions**Installation tips**

- Shock can alter the characteristics of the sensor.
- Excessive mounting tilt can cause malfunction.
- Vibrations or ripples can cause an unexpected actuation of the contact.
- Use the load appropriate to the load capacity of the contact.
- Keep the sensor away from magnetic fields to avoid false contact operations.